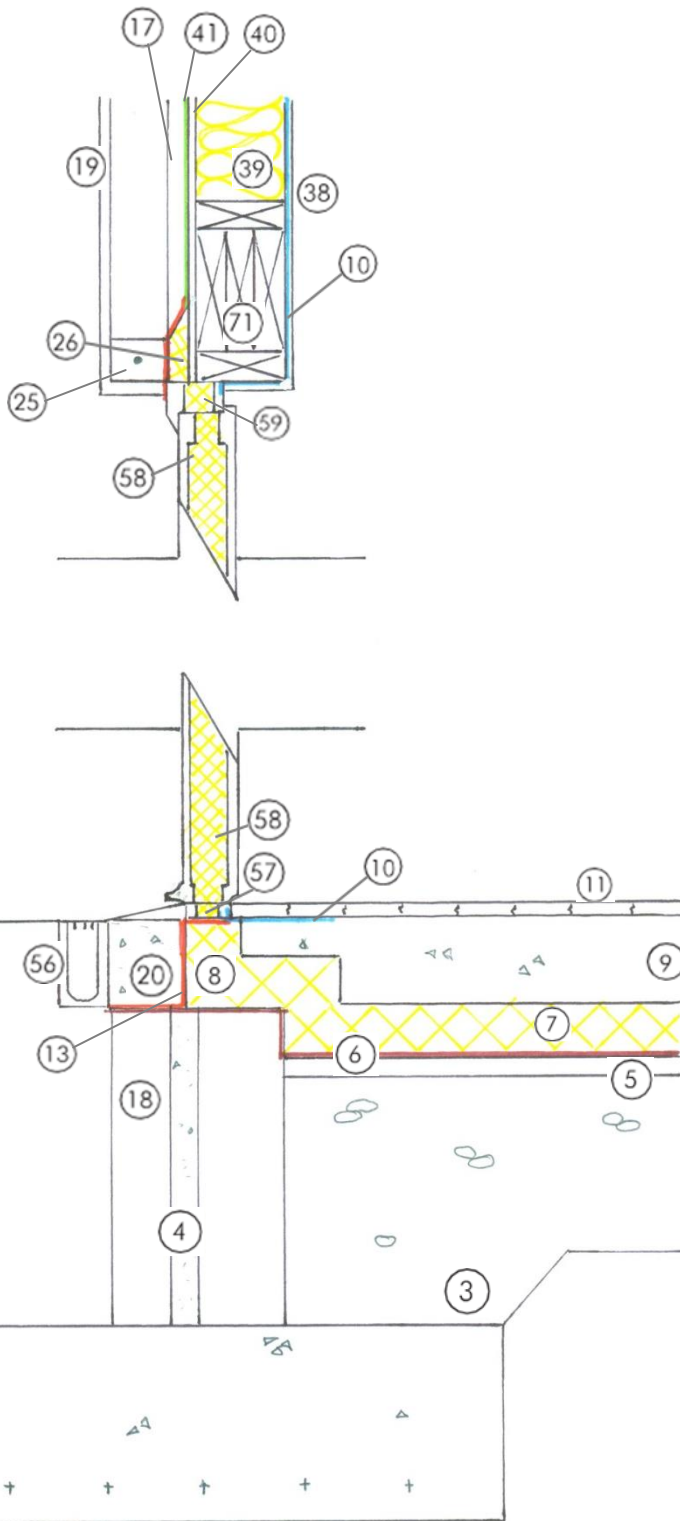


Door - Doras



2. Traditional Strip Foundation with reinforcement 1050mm x 350mm - **Fotha Stéille Traidisiúnta le Treisiú 1050mm x 350mm**

3. Hardcore - **Truncáil**

4. Cavity Fill - **Líonadh Cuadáin**

5. Sand Blinding mm - **Bailchríoch ghaineamh 50mm**

6. Radon Barrier - **Bacainn Radóin**

7. Under Floor Insulation 100mm - **Inslíú faoin urlár 100mm**

8. Vertical Insulation - **Inslíú Ingearach**

9. Reinforced Concrete - **Coincréit Treisithe**

10. Airtight Barrier - **Bacann Aerdhíonadh**

11. Floor Boards - **Cláir Urláir**

13. DPC (Damp Proof Course) - **Cúrsa Taisdíonach**

17. Cavity 50mm - **Cuas 50mm**

18. Concrete Block External Leaf 100mm - **Bloc Coincréite balla lasmuigh 100mm**

19. Render 20mm - **Rindreáil 20mm**

20. Precast Concrete - **Coincréit Réamhtheilgte**

25. Reinforced Concrete Lintel - **Fardoras le coincréit threisithe**

26. The Cavity is closed with a Proprietary Cavity Closer - **Tá an cuas dúnta le dúntóir cuais dílseánaigh**

38. Plasterboard - **Leac Phlástair**

39. Quilted Insulation - **Inslíú Cuiteáilte**

40. OSB Board - **Clár Silseog Treoshuite**

41. Breather Membrane - **Scannán Sceite**

56. Proprietary Drainage Channel - **Bealach Draenála Dílseánaigh**

57. Door Sill - **Leic an Dorais**

58. Door Panel - **Painéil an dorais**

59. Door Frame - **Fráma an Dorais**

71. Solid Timber Lintel - **Lindéir adhmaid daingean**