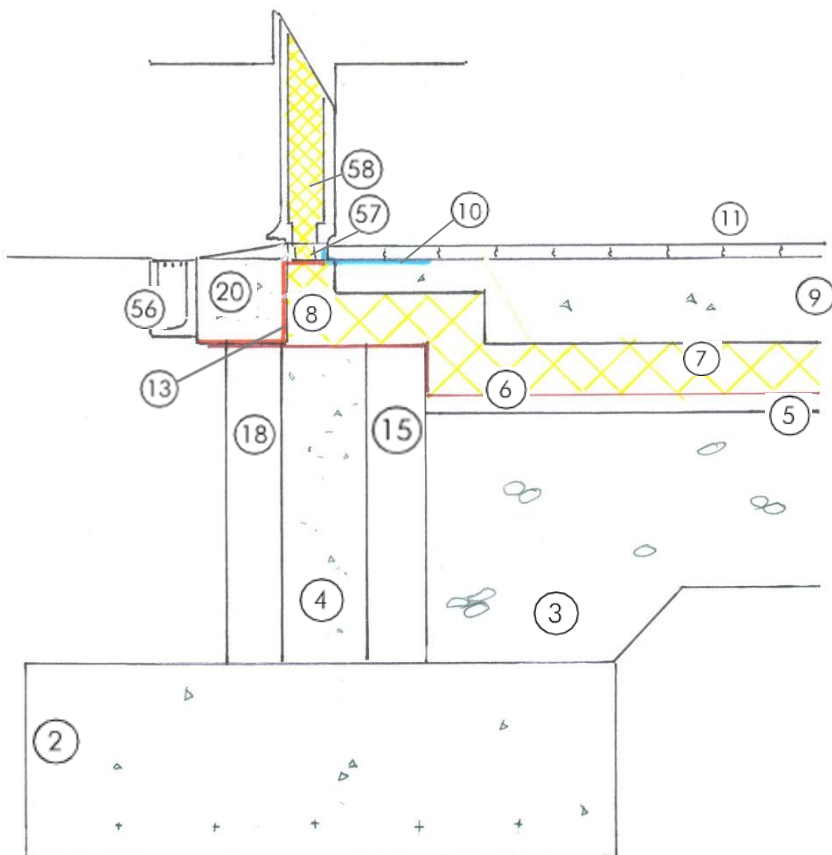
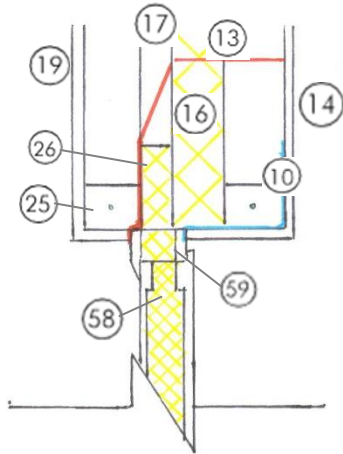


Door - Doras



2. Traditional Strip Foundation with reinforcement 1050mm x 350mm - **Fotha Stéille Traidisiúnta le Treisiú 1050mm x 350mm**
3. Hardcore - **Truncáil**
4. Cavity Fill - **Líonadh Cuadáin**
5. Sand Blinding mm - **Bailchríoch ghaineamh 50mm**
6. Radon Barrier - **Bacainn Radóin**
7. Under Floor Insulation 100mm - **Insiú faoin urlár 100mm**
8. Vertical Insulation - **Insiú Ingearach**
9. Reinforced Concrete - **Coincréit Treisithe**
10. Airtight Barrier - **Bacann Aerdhíonadh**
11. Floor Boards - **Cláir Urláir**
13. DPC (Damp Proof Course) - **Cúrsa Taisdionach**
14. Plaster 12mm - **Plástar 12mm**
15. Concrete block Internal Leaf 100mm - **Bloc Coincréite Balla Inmheánach 100mm**
16. Rigid Insulation - **Insiú Dochta**
17. Cavity 50mm - **Cuas 50mm**
18. Concrete Block External Leaf 100mm - **Bloc Coincréite balla lasmuigh 100mm**
19. Render 20mm - **Rindreáil 20mm**
20. Precast Concrete - **Coincréit Réamhtheilgte**
25. Reinforced Concrete Lintel - **Fardoras le coincréit threisithe**
26. The Cavity is closed with a Proprietary Cavity Closer - **Tá an cuas dúnta le dúntóir cuais dílseánaigh**
56. Proprietary Drainage Channel - **Bealach Draenála Dílseánaigh**
57. Door Sill - **Leic an Dorais**
58. Door Panel - **Painéil an dorais**
59. Door Frame - **Fráma an Dorais**